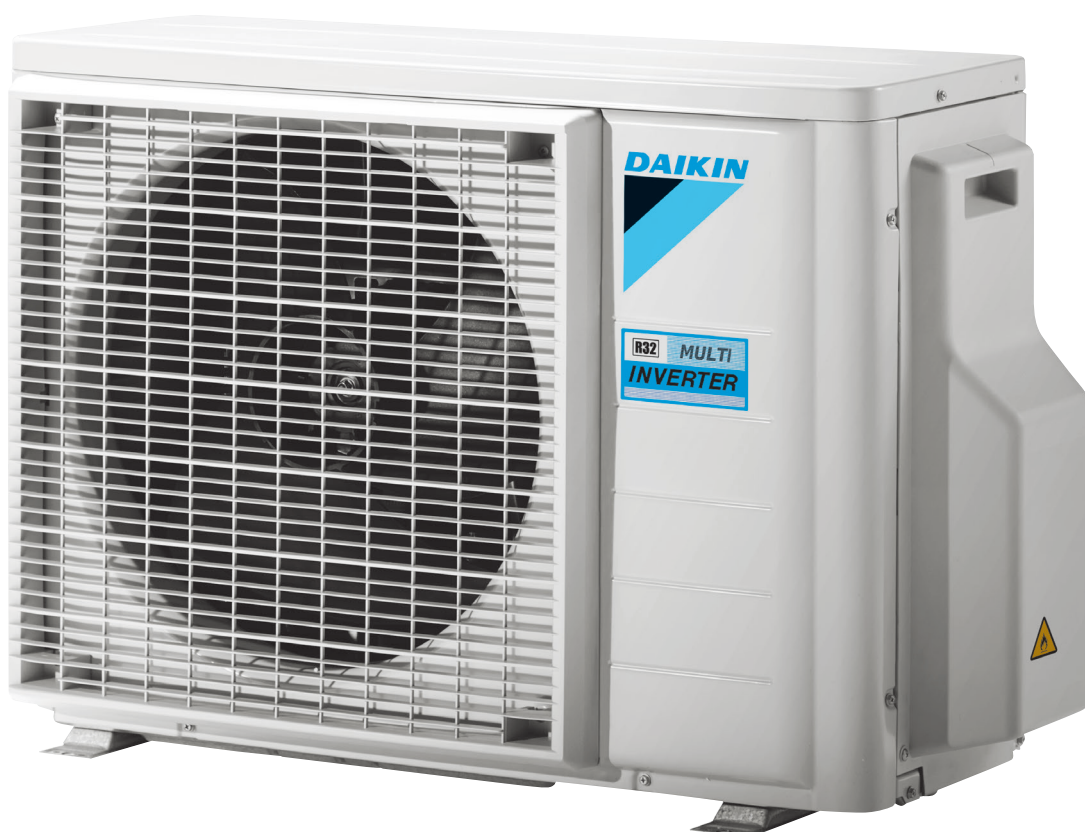


Multi model
application
Technical data book
2MXM-N



2MXM40N2V1B
2MXM50N2V1B
2MXM68N2V1B

<https://daikin-p.ru>

Table of contents

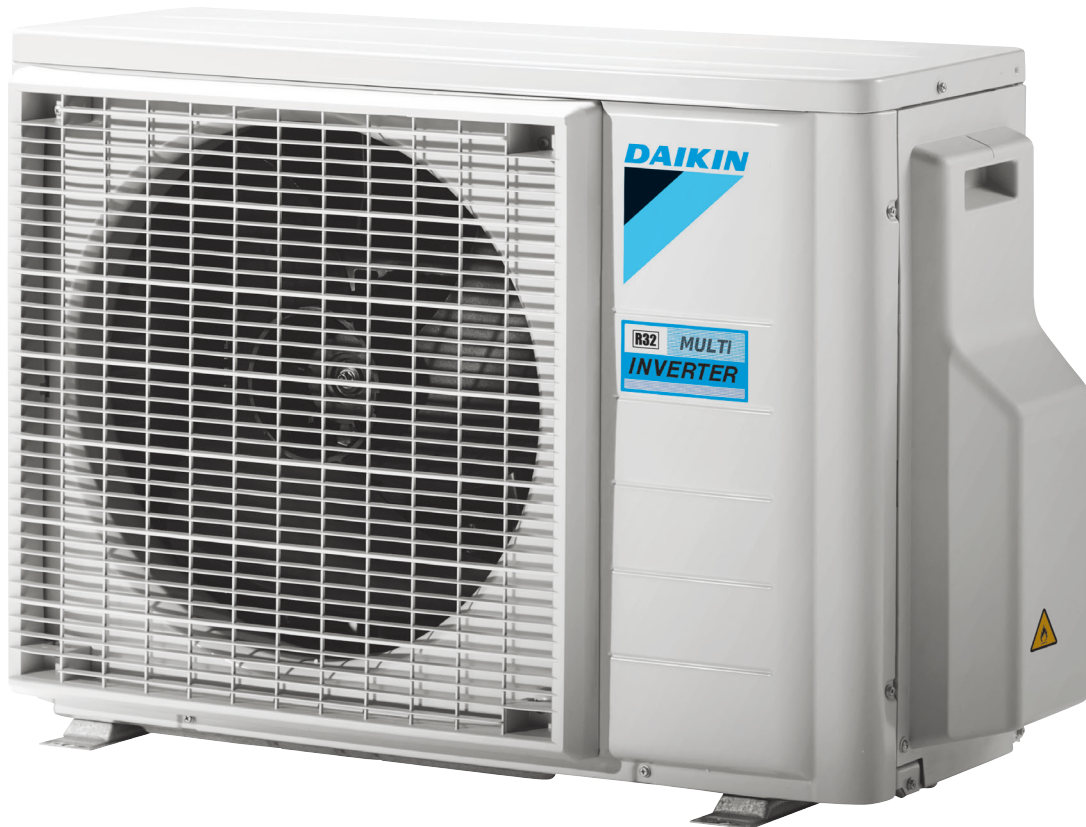
2MXM-N

1	Features	4
	2MXM-N	4
2	Specifications	5
3	Electrical data	7
4	Combination table	9
5	Capacity tables	12
	Capacity Table Legend	12
6	Dimensional drawings	13
7	Centre of gravity	15
8	Piping diagrams	16
9	Wiring diagrams	18
	Wiring Diagrams - Single Phase	18
10	Sound data	20
	Sound Pressure Spectrum	20
11	Operation range	22

1 Features

1 - 1 2MXM-N

- 1
 - › Seasonal efficiency values up to A+++ in cooling and A++ in heating thanks to its up-to-date technology and built-in intelligence
 - › Up to 2 indoor units can be connected to 1 multi outdoor unit; all indoor units are individually controllable and do not need to be installed in the same room or at the same time. They operate simultaneously within the same heating or cooling mode.
- › Choosing for an R-32 product, reduces the environmental impact with 68% compared to R-410A and leads directly to lower energy consumption thanks to its high energy efficiency
 - › Different types of indoor units can be connected: e.g. wall mounted, ceiling mounted cassette corner, concealed ceiling unit
 - › Outdoor units are fitted with a swing compressor, renowned for its low noise and high energy efficiency



Inverter

2 Specifications

1 - 1 2MXM-N

Technical specifications					2MXM40N	2MXM50N	2MXM68N
Casing	Colour				Ivory white		
Dimensions	Unit	Height	mm	550		734	
		Width	mm	765		958	
		Depth	mm	285		340	
	Packed unit	Height	mm	614		820	
		Width	mm	900		1,050	
		Depth	mm	357		480	
Weight	Unit			36	41	60.0	
	Packed unit			38	43	65.0	
Compressor	Power input	Cooling	Nom.	W	970	1,246	-
		Heating	Nom.	W	981	1,372	-
Heat exchanger	Length			mm	805	810	920
	Rows	Quantity				2	
	Fin pitch			mm	1.50		1.40
	Stages	Quantity			24		32
	Passes	Quantity			3.2		6.4
	Tube type				7.0 Hi-XD	8.1 Hi-XA	Hi-XA
	Tube diameter			mm	7.0	8.1	8
	Fin	Type			WF fin		
		Treatment			Anti-corrosion treatment		
	Fan	Type			Propeller fan		Propeller
Discharge direction				Horizontal		-	
Quantity				1		-	
Air flow rate		Cooling	High	m ³ /min	36	37	46.5
				cfm	1,271	1,306	1,642
			Nom.	m ³ /min	-	-	42.5
			cfm	-	-	1,501	
		Medium	m ³ /min	33	34	-	
			cfm	1,165	1,200	-	
Silent operation			m ³ /min	20	20	24.1	
		cfm	706	706	851		
Heating		High	m ³ /min	32	34	43.8	
			cfm	1,130	1,200	1,547	
	Nom.	m ³ /min	-	-	43.8		
		cfm	-	-	1,547		
	Medium	m ³ /min	32	34	-		
		cfm	1,130	1,200	-		
Fan	Air flow rate	Heating	Medium	cfm	1,130	1,200	-
			Silent operation	m ³ /min	18	22	24.1
			cfm	636	777	851	
Fan motor	Quantity			1			
	Model			LFD-280-23-8F		D55F-31	
	Output			W		55	
	Speed	Cooling	High	rpm	900	950	760
			Medium	rpm	840	890	700
			Super low	rpm	500	500	420
	Heating	High	rpm	820	890	720	
		Super low	rpm	320	500	420	
		Medium	rpm	-	-	720	
Compressor	Quantity			1			
	Model			1YC25GXD#C	2YC40JXD#C	2YC71DXD#C	
	Oil Amount			cm ³	375	650	900
	Type			Hermetically sealed swing compressor			
	Output			W	800	1,300	2,400
	Oil Type			FW68DA			
Operation range	Cooling	Ambient	Min.	°CDB	-	-10	
			Max.	°CDB	-	46	
	Heating	Ambient	Min.	°CDB	-	-15	
			Max.	°CDB	-	24	
Sound power level	Cooling			dBA	60	61.0	
	Heating			dBA	62	61.0	
Sound pressure level	Cooling	High	dBA	46	48	-	
		Nom.	dBA	-	-	48.0	
	Heating	High	dBA	48	50	-	
		Nom.	dBA	-	-	48.0	
Refrigerant	Type			R-32			
	Charge			kg	0.88	1.15	2.00
	Charge			TCO2Eq	0.60	0.78	1.35
	Control			Expansion valve			
	GWP					675	675.0

2 Specifications

1 - 1 2MXM-N

2

Technical specifications				2MXM40N	2MXM50N	2MXM68N
Piping connections	Liquid	Quantity		2		
		Type		Flare connection		
		OD	mm	6.4		
Piping connections	Gas	Quantity		2		1
		Type		Flare connection		
		OD	mm	9.5		
Piping connections	Drain	Quantity		1		
		Type		Drain Joint		
		OD	mm	16 (inner diameter of connecting hose)		
Piping connections	Gas 2	Quantity		-		1
		Type		-	Flare connection	
		OD	mm	-	12.70	
Piping length	OU - IU	Min.	m	-		
		Max.	m	20 (1)		
		System	Chargeless	m	-	
Additional refrigerant charge				0.02 (for piping length exceeding 20m)		0.02 (for piping length exceeding 30m)
Level difference	IU - OU	Max.	m	15.0		
			m	7.5		
Heat insulation				Both liquid and gas pipes		-
Total piping length	System	Actual	m	30.0		50
Capacity control	Method			Variable (inverter)		

Standard accessories: Installation manual; Quantity: 1;

Standard accessories: Screw bag; Quantity: 1;

Standard accessories: Drain plug; Quantity: 1;

Standard accessories: Reducer assembly; Quantity: 1;

Standard accessories: Drain cap (1); Quantity: 6;

Standard accessories: Drain cap (2); Quantity: 3;

Electrical specifications				2MXM40N	2MXM50N	2MXM68N
Power supply	Phase			1~		
	Frequency		Hz	50		
	Voltage		V	220-230-240		220-240
Wiring connections	For power supply	Quantity		3		
		Remark		Earth wire included		
	For connection with indoor	Quantity		4		
		Remark		Earth wire included		

(1)For one room |

See separate drawing for operation range |

See separate drawing for electrical data |

Contains fluorinated greenhouse gases

3 Electrical data

3 - 1 Electrical Data

2MXM40-50N

Outdoor unit Model name	Power supply			-RA- indoor units (-10-% safety factor) See note -5-		Other indoor units (-10-% safety factor)		COMP		OFM								
	Hz	Voltage	Voltage range	MCA	MFA	MCA	MFA	RHz	RLA	kW	FLA							
2MXM40M3V1B 2MXM40M4V1B 2MXM40N2V1B	50	220	Maximum :50-Hz :264-V	9,80	16	9,80	16	-	5,1	0,040	0,17							
	50	230							5,3									
	50	240	Minimum :50-Hz :198-V						5,6									
2MXM50M2V1B9 2MXM50M3V1B9 2MXM50N2V1B	50	220	Maximum :50-Hz :264-V						12,94			16	13,27	16	-	5,9	0,042	0,18
	50	230														6,2		
	50	240	Minimum :50-Hz :198-V													6,5		
2AMXM40M3V1B 2AMXM40M4V1B	50	220	Maximum :50-Hz :264-V	9,80	16	9,80	16	-		5,1	0,040					0,17		
	50	230								5,3								
	50	240	Minimum :50-Hz :198-V							5,6								
2AMXM50M3V1B 2AMXM50M4V1B	50	220	Maximum :50-Hz :264-V						12,94	16		13,27	16	-	5,9		0,042	0,18
	50	230													6,2			
	50	240	Minimum :50-Hz :198-V												6,5			
2AMXF40A2V1B	50	220	Maximum :50-Hz :264-V	9,80	16	9,80	16	-			5,1				0,040	0,17		
	50	230									5,3							
	50	240	Minimum :50-Hz :198-V								5,6							
2AMXF50A2V1B	50	220	Maximum :50-Hz :264-V						12,83	16	12,83	16	-	5,9			0,042	0,18
	50	230												6,2				
	50	240	Minimum :50-Hz :198-V											6,5				
2MXF40A2V1B	50	220	Maximum :50-Hz :264-V	9,80	16	9,80	16	-						5,1	0,040	0,17		
	50	230												5,3				
	50	240	Minimum :50-Hz :198-V											5,6				
2MXF50A2V1B	50	220	Maximum :50-Hz :264-V						12,83	16	12,83	16	-	5,9			0,042	0,18
	50	230												6,2				
	50	240	Minimum :50-Hz :198-V											6,5				

Notes

- The -RLA- is based on the following conditions.
Outdoor temperature :35-°C DB
Indoor temperature :27-°C DB / :19-°C WB
- Select the wire size according to the MCA.
- The maximum allowable voltage that is unbalanced between phases is :2-%.
- Use a circuit breaker instead of a fuse.
- Only for wall-mounted -FVXM- units

Symbols

- MCA: Minimum Circuit Ampere [A]
MFA: Maximum Fuse Ampere [A]
RLA: Rated load amps [A]
OFM: Outdoor fan motor
RHz: Rated operating frequency [Hz]
FLA: Full Load Ampere [A]
kW: Fan motor rated output [kW]

3D110207E

3 Electrical data

3 - 1 Electrical Data

3
2MXM68N

Outdoor unit	Power supply			·RA· indoor units (·10·% safety factor)		Other indoor units (·10·% safety factor)		COMP		OFM	
				See note ·5·		MCA	MFA				
Model name	Hz	Voltage	Voltage range	MCA	MFA	MCA	MFA	RHz	RLA	kW	FLA
2MXM68N2V1B9	50	220	MAX. 50Hz 264V MIN. 50Hz 198V	16,94	20	19,80	20	-	7,8	0,056	0,37
	50	230							7,5		
	50	240							8,7		
3MXM40N2V1B9	50	220	MAX. 50Hz 264V MIN. 50Hz 198V	14,31	16	15,97	16	-	2,9	0,056	0,37
	50	230							3,0		
	50	240							3,1		
3MXM52N2V1B9	50	220	MAX. 50Hz 264V MIN. 50Hz 198V	14,59	20	16,27	20	-	4,5	0,056	0,37
	50	230							4,7		
	50	240							4,9		
3MXM68N2V1B9	50	220	MAX. 50Hz 264V MIN. 50Hz 198V	17,19	20	19,81	20	-	8,0	0,056	0,37
	50	230							8,4		
	50	240							8,7		
4MXM68N2V1B9	50	220	MAX. 50Hz 264V MIN. 50Hz 198V	17,36	20	19,81	20	-	7,0	0,056	0,37
	50	230							7,3		
	50	240							7,6		
4MXM80N2V1B9	50	220	MAX. 50Hz 264V MIN. 50Hz 198V	17,04	25	20,36	25	-	8,5	0,075	0,50
	50	230							8,9		
	50	240							9,3		
5MXM90N2V1B9	50	220	MAX. 50Hz 264V MIN. 50Hz 198V	21,70	32	25,88	32	-	9,2	0,075	0,50
	50	230							9,6		
	50	240							10,0		
3AMXM52N2V1B9	50	220	MAX. 50Hz 264V MIN. 50Hz 198V	18,19	20	16,27	20	-	4,5	0,056	0,37
	50	230							4,7		
	50	240							4,9		
3MXF52A2V1B9	50	220	MAX. 50Hz 264V MIN. 50Hz 198V	14,59	20	16,27	20	-	4,5	0,056	0,37
	50	230							4,7		
	50	240							4,9		
3AMXF52A2V1B9	50	220	MAX. 50Hz 264V MIN. 50Hz 198V	14,59	20	16,27	20	-	4,5	0,056	0,37
	50	230							4,7		
	50	240							4,9		
3MXF68A2V1B9	50	220	MAX. 50Hz 264V MIN. 50Hz 198V	17,19	20	19,81	20	-	8,0	0,056	0,37
	50	230							8,4		
	50	240							8,7		
3MXM40N2V1B8	50	220	MAX. 50Hz 264V MIN. 50Hz 198V	14,31	16	15,97	16	-	2,9	0,056	0,37
	50	230							3,0		
	50	240							3,1		
3MXM52N2V1B8	50	220	MAX. 50Hz 264V MIN. 50Hz 198V	14,59	20	16,27	20	-	4,5	0,056	0,37
	50	230							4,7		
	50	240							4,9		

Notes

- 1) The ·RLA· is based on the following conditions.
Outdoor temperature ·35·°C DB
Indoor temperature ·27·°C DB / ·19·°C WB
- 2) Select the wire size according to the MCA.
- 3) The maximum allowable voltage that is unbalanced between phases is ·2·%.
- 4) Use a circuit breaker instead of a fuse.
- 5) Only for wall-mounted ·FVXM· units

Symbols

- MCA: Minimum Circuit Ampere [A]
 MFA: Maximum Fuse Ampere [A]
 RLA: Rated load amps [A]
 OFM: Outdoor fan motor
 MSC: Maximum starting current
 FLA: Full Load Ampere [A]
 kW: Fan motor rated output [kW]

3D129421B

4 Combination table

4 - 1 Combination Table

2MXM40N Cooling (50Hz 230V)

Outdoor unit	Indoor unit	Cooling capacity [kW]		Total capacity [kW]			Power input [kW]			Total current [A]			Power factor [%]
		Room A	Room B	Minimum	Nominal	Maximum	Minimum	Nominal	Maximum	Minimum	Nominal	Maximum	
2MXM40M2V1B 2MXM40M3V1B 2MXM40M4V1B 2MXM40N2V1B	1,5	1,50	---	1,30	1,50	2,00	0,33	0,31	0,40	1,78	1,70	2,17	79
	2,0	2,00	---	1,30	2,00	2,40	0,33	0,44	0,57	1,78	2,38	3,09	79
	2,5	2,50	---	1,30	2,50	3,00	0,33	0,61	0,80	1,78	3,33	4,40	79
	3,5	3,50	---	1,30	3,50	4,00	0,33	1,04	1,35	1,78	5,71	7,38	79
	1.5+1.5	1,50	1,50	1,50	3,00	3,60	0,31	0,60	0,73	1,67	3,33	4,00	79
	1.5+2.0	1,50	2,00	1,50	3,50	4,00	0,31	0,79	0,91	1,67	4,35	4,98	79
	1.5+2.5	1,50	2,50	1,50	4,00	4,20	0,31	0,98	1,03	1,67	5,37	5,64	79
	1.5+3.5	1,20	2,80	1,50	4,00	4,40	0,31	0,96	1,06	1,67	5,30	5,83	79
	2.0+2.0	2,00	2,00	1,50	4,00	4,20	0,31	0,97	1,02	1,67	5,34	5,61	79
	2.0+2.5	1,78	2,22	1,50	4,00	4,30	0,31	0,96	1,04	1,67	5,30	5,70	79
	2.0+3.5	1,45	2,55	1,50	4,00	4,50	0,31	0,95	1,08	1,67	5,25	5,91	79
	2.5+2.5	2,00	2,00	1,50	4,00	4,40	0,31	0,96	1,06	1,67	5,27	5,80	79
	2.5+3.5	1,67	2,33	1,50	4,00	4,60	0,31	0,94	1,09	1,67	5,20	5,98	79

Heating (50Hz 230V)

Outdoor unit	Indoor unit	Heating capacity [kW]		Total capacity [kW]			Power input [kW]			Total current [A]			Power factor [%]
		Room A	Room B	Minimum	Nominal	Maximum	Minimum	Nominal	Maximum	Minimum	Nominal	Maximum	
2MXM40M2V1B 2MXM40M3V1B 2MXM40M4V1B 2MXM40N2V1B	1,5	2,00	---	1,00	2,00	3,30	0,26	0,68	1,04	1,43	3,66	5,69	79
	2,0	3,00	---	1,00	3,00	3,70	0,26	0,83	1,24	1,43	4,52	6,78	79
	2,5	3,40	---	1,00	3,40	4,10	0,26	1,02	1,48	1,43	5,59	8,09	79
	3,5	3,80	---	1,00	3,80	4,40	0,26	1,28	1,71	1,43	7,02	9,40	79
	1.5+1.5	1,75	1,75	1,20	3,50	4,30	0,24	0,80	0,99	1,31	4,43	5,45	79
	1.5+2.0	1,63	2,17	1,20	3,80	4,50	0,24	0,88	1,04	1,31	4,85	5,75	79
	1.5+2.5	1,58	2,63	1,20	4,20	4,60	0,24	1,00	1,10	1,31	5,53	6,06	79
	1.5+3.5	1,26	2,94	1,20	4,20	4,70	0,24	0,96	1,12	1,31	5,29	5,92	79
	2.0+2.0	2,10	2,10	1,30	4,20	4,60	0,24	0,98	1,08	1,31	5,41	5,93	79
	2.0+2.5	1,87	2,33	1,30	4,20	4,70	0,24	0,97	1,09	1,31	5,36	6,00	79
	2.0+3.5	1,53	2,67	1,30	4,20	4,80	0,24	0,95	1,09	1,31	5,25	6,00	79
	2.5+2.5	2,10	2,10	1,30	4,20	4,70	0,24	0,96	1,08	1,31	5,29	5,92	79
	2.5+3.5	1,75	2,45	1,30	4,20	4,80	0,24	0,94	1,08	1,31	5,19	5,94	79

Notes

- The total capacity of each connected indoor unit is up to 6.0-kW.
- The values above are for connecting with the following indoor unit types:
 - 1.5, 2.0, 2.5, 3.5- kW class
 - Wall-mounted CTXM-M,FTXM-M- series
- These indoor units can only be used in a multi-unit setup.
- Heating capacity conditions
 - Indoor temperature -20°C DB
 - Outdoor temperature -7°C DB / -6°C WB
- Cooling capacity conditions
 - Indoor temperature -27°C DB / -19°C WB
 - Outdoor temperature -35°C DB

3D102222E

4 Combination table

4 - 1 Combination Table

4
2MXM50N

Outdoor unit	Indoor unit	Cooling capacity [kW]		Total capacity [kW]			Power input [kW]			Total current [A]			Power factor [%]
		Room A	Room B	Minimum	Nominal	Maximum	Minimum	Nominal	Maximum	Minimum	Nominal	Maximum	
2MXM50M2V1B 2MXM50M2V1B9 2MXM50M3V1B9 2MXM50N2V1B	1,5	1,50	---	1,40	1,50	2,20	0,31	0,32	0,52	1,53	1,55	2,53	89
	2,0	2,00	---	1,40	2,00	2,60	0,31	0,47	0,69	1,53	2,25	3,37	89
	2,5	2,50	---	1,40	2,50	3,10	0,31	0,67	0,92	1,53	3,27	4,50	89
	3,5	3,50	---	1,40	3,50	4,00	0,31	1,09	1,42	1,53	5,32	6,95	89
	4,2	4,20	---	1,40	4,20	4,70	0,31	1,59	1,75	1,53	7,73	8,57	89
	5,0	5,00	---	1,60	5,00	5,30	0,33	1,30	1,44	1,64	6,33	7,01	89
	1.5+1.5	1,50	1,50	1,60	3,00	3,20	0,33	0,62	0,66	1,64	3,03	3,24	89
	1.5+2.0	1,50	2,00	1,60	3,50	3,70	0,33	0,76	0,80	1,64	3,71	3,93	89
	1.5+2.5	1,50	2,50	1,60	4,00	4,20	0,33	0,94	0,99	1,64	4,60	4,83	89
	1.5+3.5	1,50	3,50	1,60	5,00	5,00	0,33	1,25	1,25	1,64	6,10	6,10	89
	1.5+4.2	1,32	3,68	1,60	5,00	5,40	0,33	1,23	1,54	1,64	6,04	6,53	89
	1.5+5.0	1,15	3,85	1,80	5,00	5,50	0,33	1,23	1,68	1,64	5,99	6,59	89
	2.0+2.0	2,00	2,00	1,80	4,00	5,00	0,33	0,94	1,28	1,64	4,60	5,75	89
	2.0+2.5	2,00	2,50	1,80	4,50	5,10	0,33	1,07	1,31	1,64	5,23	5,93	89
	2.0+3.5	1,82	3,18	1,80	5,00	5,40	0,33	1,24	1,49	1,64	6,05	6,54	89
	2.0+4.2	1,61	3,39	1,80	5,00	5,50	0,33	1,23	1,51	1,64	6,01	6,62	89
	2.0+5.0	1,43	3,57	1,80	5,00	5,50	0,33	1,22	1,44	1,64	5,95	6,55	89
	2.5+2.5	2,50	2,50	1,80	5,00	5,30	0,33	1,25	1,42	1,64	6,10	6,47	89
	2.5+3.5	2,08	2,92	1,80	5,00	5,40	0,33	1,23	1,43	1,64	6,02	6,51	89
	2.5+4.2	1,87	3,13	1,80	5,00	5,50	0,33	1,22	1,45	1,64	5,98	6,58	89
2.5+5.0	1,67	3,33	1,80	5,00	5,50	0,33	1,21	1,38	1,64	5,92	6,52	89	
3.5+3.5	2,50	2,50	1,80	5,00	5,40	0,33	1,22	1,42	1,64	5,95	6,43	89	
3.5+4.2	2,27	2,73	1,80	5,00	5,50	0,33	1,21	1,40	1,64	5,90	6,49	89	
3.5+5.0	2,06	2,94	1,80	5,00	5,50	0,33	1,20	1,34	1,64	5,85	6,44	89	
4.2+4.2	2,50	2,50	1,80	5,00	5,50	0,33	1,20	1,38	1,64	5,88	6,47	89	

Outdoor unit	Indoor unit	Heating capacity [kW]		Total capacity [kW]			Power input [kW]			Total current [A]			Power factor [%]
		Room A	Room B	Minimum	Nominal	Maximum	Minimum	Nominal	Maximum	Minimum	Nominal	Maximum	
2MXM50M2V1B 2MXM50M2V1B9 2MXM50M3V1B9 2MXM50N2V1B	1,5	2,00	---	1,10	2,00	3,30	0,29	0,68	0,95	1,44	3,31	4,66	89
	2,0	3,00	---	1,10	3,00	3,70	0,27	0,82	1,13	1,33	3,99	5,52	89
	2,5	3,40	---	1,10	3,40	4,10	0,25	0,99	1,34	1,23	4,81	6,54	89
	3,5	4,00	---	1,10	4,00	4,60	0,25	1,24	1,53	1,23	6,03	7,46	89
	4,2	4,60	---	1,10	4,60	5,00	0,23	1,49	1,81	1,12	7,27	8,85	89
	5,0	5,50	---	1,20	5,50	5,60	0,23	1,35	1,51	1,12	6,56	9,01	89
	1.5+1.5	2,00	2,00	1,20	4,00	4,54	0,23	0,87	0,99	1,12	4,27	4,85	89
	1.5+2.0	1,89	2,51	1,20	4,40	4,89	0,23	1,02	1,13	1,12	4,97	5,53	89
	1.5+2.5	1,80	3,00	1,20	4,80	5,19	0,23	1,18	1,27	1,12	5,75	6,22	89
	1.5+3.5	1,56	3,64	1,20	5,20	5,70	0,25	1,28	1,40	1,23	6,25	6,86	89
	1.5+4.2	1,47	4,13	1,20	5,60	5,96	0,25	1,37	1,46	1,23	6,71	7,15	89
	1.5+5.0	1,29	4,31	1,20	5,60	6,16	0,25	1,37	1,50	1,23	6,68	7,35	89
	2.0+2.0	2,60	2,60	1,20	5,20	5,70	0,23	1,27	1,40	1,12	6,22	6,82	89
	2.0+2.5	2,49	3,11	1,20	5,60	5,80	0,23	1,37	1,42	1,12	6,68	6,92	89
	2.0+3.5	2,04	3,56	1,20	5,60	5,90	0,25	1,36	1,43	1,23	6,65	7,01	89
	2.0+4.2	1,81	3,79	1,20	5,60	6,00	0,25	1,36	1,46	1,23	6,63	7,11	89
	2.0+5.0	1,60	4,00	1,20	5,60	6,20	0,25	1,35	1,50	1,23	6,60	7,31	89
	2.5+2.5	2,80	2,80	1,20	5,60	5,80	0,23	1,37	1,42	1,12	6,71	6,95	89
	2.5+3.5	2,33	3,27	1,20	5,60	6,00	0,25	1,38	1,48	1,23	6,76	7,25	89
	2.5+4.2	2,09	3,51	1,20	5,60	6,10	0,25	1,39	1,51	1,23	6,79	7,40	89
2.5+5.0	1,87	3,73	1,30	5,60	6,30	0,25	1,41	1,58	1,23	6,88	7,74	89	
3.5+3.5	2,80	2,80	1,30	5,60	6,10	0,25	1,40	1,52	1,23	6,83	7,44	89	
3.5+4.2	2,55	3,05	1,30	5,60	6,20	0,25	1,40	1,55	1,23	6,84	7,58	89	
3.5+5.0	2,31	3,29	1,30	5,60	6,40	0,25	1,42	1,63	1,23	6,95	7,95	89	
4.2+4.2	2,80	2,80	1,30	5,60	6,30	0,25	1,41	1,58	1,23	6,88	7,74	89	

Notes

- The total capacity of each connected indoor unit is up to 8.5-kW.
- The values above are for connecting with the following indoor unit types:
·1.5, 2.0, 3.5, 4.2, 5.0· kW class
Wall-mounted ·CTXM-M,FTXM-M· series
- These indoor units can only be used in a multi-unit setup.
- Heating capacity conditions
Indoor temperature ·20·°C DB
Outdoor temperature ·7·°C DB / ·6·°C WB
- Cooling capacity conditions
Indoor temperature ·27·°C DB / ·19·°C WB
Outdoor temperature ·35·°C DB

3D102231F

4 Combination table

4 - 1 Combination Table

2MXM68N
Cooling (50Hz 230V)

Outdoor unit	Indoor unit	Cooling capacity [kW]		Total capacity [kW]			Power input [kW]			Total current [A]			Power factor [%]
		Room -A-	Room -B-	Min.	Nom.	Max.	Min.	Nom.	Max.	Min.	Nom.	Max.	
2MXM68N2V1B	1,5	1,60	---	1,52	1,60	2,49	0,40	0,42	0,59	1,82	1,98	2,71	95
	2,0	2,00	---	1,66	2,00	2,68	0,42	0,43	0,60	1,91	2,08	2,75	95
	2,5	2,50	---	1,74	2,50	3,44	0,44	0,55	0,82	2,00	2,62	3,77	95
	3,5	3,50	---	1,93	3,50	4,86	0,46	0,80	1,43	2,09	3,84	6,53	95
	4,2	---	4,20	1,93	4,20	5,33	0,46	0,82	1,44	2,09	3,93	6,57	95
	5,0	---	5,00	1,94	5,00	6,03	0,44	1,50	2,13	2,00	7,20	9,77	95
	6,0	---	6,00	1,94	6,00	6,51	0,44	1,52	2,13	2,00	7,29	9,77	95
	1.5+1.5	1,50	1,50	1,95	3,00	4,79	0,40	0,60	1,15	1,81	2,75	5,25	95
	1.5+2.0	1,50	2,00	1,95	3,50	4,96	0,40	0,74	1,22	1,81	3,38	5,58	95
	1.5+2.5	1,50	2,50	1,95	4,00	5,28	0,40	0,89	1,36	1,81	4,08	6,23	95
	1.5+3.5	1,50	3,50	1,95	5,00	6,17	0,39	1,24	1,83	1,77	5,68	8,39	95
	1.5+4.2	1,50	4,20	1,95	5,70	6,39	0,39	1,51	1,96	1,77	6,90	8,96	95
	1.5+5.0	1,50	5,00	1,95	6,50	7,08	0,38	1,78	2,23	1,73	8,14	10,22	95
	1.5+6.0	1,36	5,44	1,96	6,80	7,59	0,37	1,93	2,36	1,68	8,82	10,79	95
	2.0+2.0	2,00	2,00	1,95	4,00	5,12	0,40	0,89	1,29	1,81	4,08	5,91	95
	2.0+2.5	2,00	2,50	1,95	4,50	5,44	0,40	1,06	1,43	1,81	4,86	6,56	95
	2.0+3.5	2,00	3,50	1,95	5,50	6,30	0,39	1,39	1,91	1,77	6,38	8,76	95
	2.0+4.2	2,00	4,20	1,95	6,20	6,51	0,39	1,70	2,05	1,77	7,77	9,37	95
	2.0+5.0	1,94	4,86	1,95	6,80	7,26	0,38	1,90	2,36	1,73	8,68	10,79	95
	2.0+6.0	1,70	5,10	1,96	6,80	7,71	0,37	1,92	2,45	1,68	8,78	11,20	95
	2.5+2.5	2,50	2,50	1,95	5,00	6,10	0,41	1,20	1,78	1,89	5,51	8,15	95
	2.5+3.5	2,50	3,50	1,95	6,00	6,57	0,40	1,54	2,11	1,81	7,03	9,65	95
	2.5+4.2	2,50	4,20	1,95	6,70	6,95	0,40	1,79	2,38	1,81	8,21	10,88	95
	2.5+5.0	2,27	4,53	1,95	6,80	7,37	0,37	1,78	2,45	1,68	8,15	11,20	95
	2.5+6.0	2,00	4,80	1,96	6,80	7,71	0,35	1,76	2,45	1,60	8,06	11,20	95
	3.5+3.5	3,40	3,40	1,95	6,80	7,13	0,38	1,73	2,37	1,73	7,90	10,83	95
	3.5+4.2	3,09	3,71	1,95	6,80	7,24	0,38	1,72	2,46	1,73	7,87	11,24	95
	3.5+5.0	2,80	4,00	1,95	6,80	7,76	0,35	1,68	2,78	1,60	7,71	12,71	95
	3.5+6.0	2,51	4,29	2,26	6,80	8,07	0,40	1,67	2,72	1,81	7,63	12,46	95
	4.2+4.2*	3,40	3,40	1,95	6,80	7,14	0,38	1,71	2,37	1,73	7,84	10,83	95
	4.2+5.0*	3,10	3,70	1,95	6,80	7,77	0,35	1,68	2,78	1,60	7,68	12,71	95
	4.2+6.0*	2,80	4,00	2,26	6,80	8,08	0,40	1,66	2,72	1,81	7,60	12,46	95

Notes

- The total capacity of each connected indoor unit is up to -10.2-kW.
- The values above are for connecting with the following indoor unit types:
-1.5, 2.0, 2.5, 3.5, 4.2, 5.0, 6.0- kW class
Wall-mounted -CTXM-M, CTXM-N, CTXM-R, FTXM-M, FTXM-N, FTXM-R- series
* Only for -CTXM-R and FTXM-R series-
- Cooling capacity conditions
Indoor temperature -27°C DB / -19°C WB
Outdoor temperature -35°C DB

3D131347
2MXM68N
Heating (50Hz 230V)

Outdoor unit	Indoor unit	Heating capacity [kW]		Total capacity [kW]			Power input [kW]			Total current [A]			Power factor [%]
		Room -A-	Room -B-	Minimum	Nominal	Maximum	Minimum	Nominal	Maximum	Minimum	Nominal	Maximum	
2MXM68N2V1B	1,5	2,70	---	1,47	2,70	4,08	0,42	0,72	1,22	1,91	3,35	5,59	95
	2,0	2,72	---	1,48	2,72	4,09	0,43	0,73	1,28	1,95	3,39	5,64	95
	2,5	3,40	---	1,44	3,40	4,30	0,42	1,02	1,37	1,91	4,72	6,08	95
	3,5	4,30	---	1,45	4,30	4,90	0,40	1,41	1,75	1,82	6,50	7,15	95
	4,2	---	4,32	1,44	4,32	5,70	0,40	1,40	2,04	1,82	6,46	7,15	95
	5,0	---	5,60	1,66	5,60	6,90	0,39	1,82	2,59	1,78	8,43	8,70	95
	6,0	---	7,90	1,88	7,90	8,91	0,37	2,62	2,64	1,69	12,13	12,08	95
	1.5+1.5	2,65	2,65	1,65	5,30	7,38	0,36	1,19	1,83	1,63	5,45	8,38	95
	1.5+2.0	2,44	3,26	1,65	5,70	7,76	0,36	1,31	1,99	1,63	6,00	9,09	95
	1.5+2.5	2,29	3,81	1,65	6,10	7,95	0,36	1,43	2,06	1,63	6,55	9,43	95
	1.5+3.5	2,07	4,83	1,80	6,90	8,50	0,37	1,69	2,35	1,68	7,74	10,74	95
	1.5+4.2	1,97	5,53	1,80	7,50	8,85	0,37	1,90	2,57	1,68	8,70	11,75	95
	1.5+5.0	1,89	6,31	2,18	8,20	10,38	0,45	2,13	2,91	2,06	9,75	13,31	95
	1.5+6.0	1,72	6,88	2,46	8,60	10,58	0,48	2,28	2,67	2,19	10,44	12,21	95
	2.0+2.0	3,25	3,25	1,65	6,50	7,95	0,36	1,37	2,31	1,63	6,28	9,47	95
	2.0+2.5	3,07	3,83	1,65	6,90	8,12	0,36	1,52	2,32	1,63	6,96	9,81	95
	2.0+3.5	2,73	4,77	1,80	7,50	8,67	0,37	1,75	2,43	1,68	8,01	11,12	95
	2.0+4.2	2,58	5,42	1,80	8,00	9,03	0,37	1,98	2,66	1,68	9,07	12,17	95
	2.0+5.0	2,46	6,14	2,18	8,60	10,56	0,45	2,26	3,00	2,06	10,35	13,73	95
	2.0+6.0	2,15	6,45	2,46	8,60	10,75	0,48	2,24	2,74	2,19	10,26	12,55	95
	2.5+2.5	3,60	3,60	1,65	7,20	8,49	0,36	1,62	2,36	1,63	7,42	10,78	95
	2.5+3.5	3,29	4,61	1,89	7,90	9,03	0,38	1,91	2,66	1,72	8,75	12,17	95
	2.5+4.2	3,10	5,20	1,89	8,30	9,29	0,38	2,11	2,82	1,72	9,66	12,93	95
	2.5+5.0	2,87	5,73	2,27	8,60	10,68	0,46	2,24	3,09	2,11	10,26	14,15	95
	2.5+6.0	2,53	6,07	2,55	8,60	10,88	0,50	2,22	2,77	2,28	10,17	12,67	95
	3.5+3.5	4,30	4,30	2,17	8,60	9,38	0,42	2,26	2,86	1,94	10,35	13,09	95
	3.5+4.2	3,91	4,69	2,17	8,60	9,47	0,42	2,26	2,91	1,94	10,35	13,31	95
	3.5+5.0	3,54	5,06	2,56	8,60	10,90	0,51	2,22	3,13	2,32	10,17	14,32	95
	3.5+6.0	3,17	5,43	2,74	8,60	11,01	0,52	2,21	2,76	2,37	10,12	12,63	95
	4.2+4.2*	4,30	4,30	2,17	8,60	9,56	0,42	2,22	2,94	1,94	10,17	13,47	95
	4.2+5.0*	3,93	4,67	2,56	8,60	10,91	0,51	2,21	3,19	2,32	10,12	14,61	95
	4.2+6.0*	3,54	5,06	2,74	8,60	11,02	0,51	2,20	2,79	2,32	10,07	12,76	95

Notes

- The total capacity of each connected indoor unit is up to -10.2-kW.
- The values above are for connecting with the following indoor unit types:
-1.5, 2.0, 2.5, 3.5, 4.2, 5.0, 6.0- kW class
Wall-mounted -CTXM-M, CTXM-N, CTXM-R, FTXM-M, FTXM-N, FTXM-R- series
* Only for -CTXM-R and FTXM-R series-
- Heating capacity conditions
Indoor temperature -20°C DB
Outdoor temperature -7°C DB / -6°C WB
- Cooling capacity conditions
Indoor temperature -27°C DB / -19°C WB
Outdoor temperature -35°C DB

3D131349

5 Capacity tables

5 - 1 Capacity Table Legend

5

In order to fulfill more your requirements on quick access of data in the format you require, we have developed a tool to consult capacity tables.

Below you can find the link to the capacity table database and an overview of all the tools we have to help you select the correct product:

- **Capacity table database:** lets you find back and export quickly the capacity information you are looking for based upon unit model, refrigerant temperature and connection ratio.
- You can access the capacity table viewer here:
https://my.daikin.eu/content/denv/en_US/home/applications/software-finder/capacity-table-viewer.html



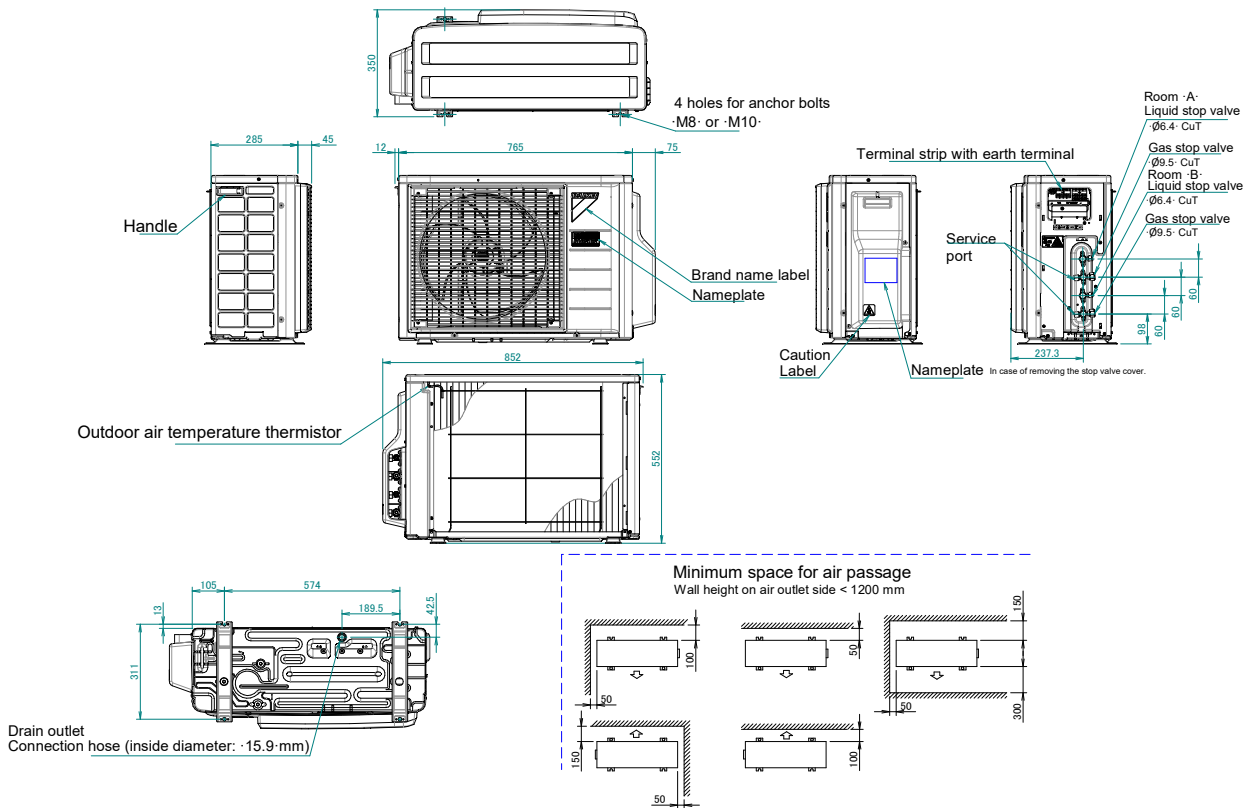
- An overview of **all software tools** that we offer can be found here:
https://my.daikin.eu/denv/en_US/home/applications/software-finder.html



6 Dimensional drawings

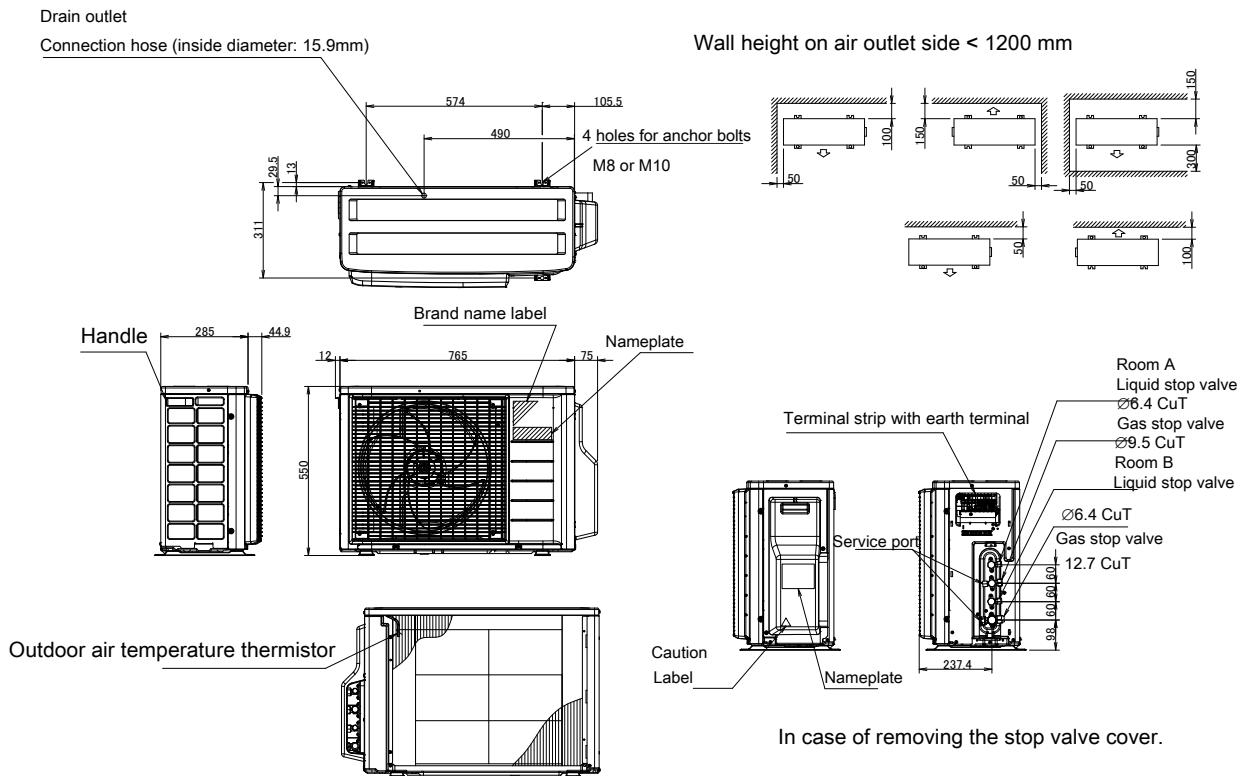
6 - 1 Dimensional Drawings

2MXM40N



3D101252B

2MXM50N



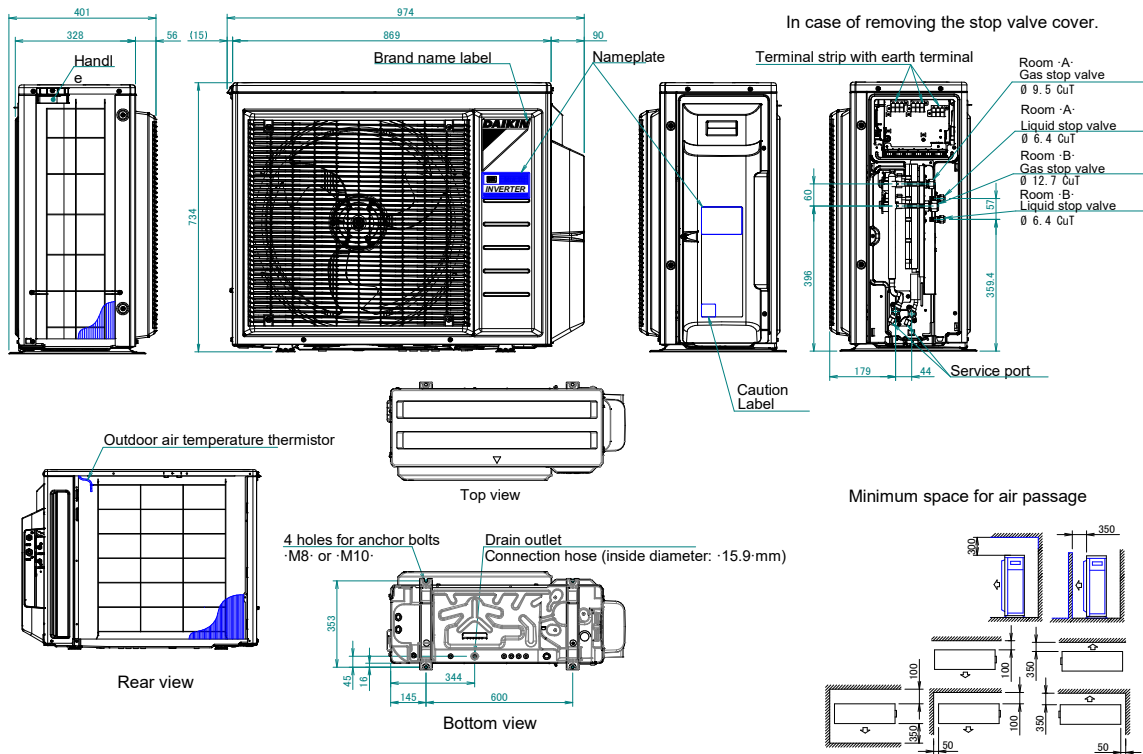
3D101375B

6 Dimensional drawings

6 - 1 Dimensional Drawings

6

2MXM68N

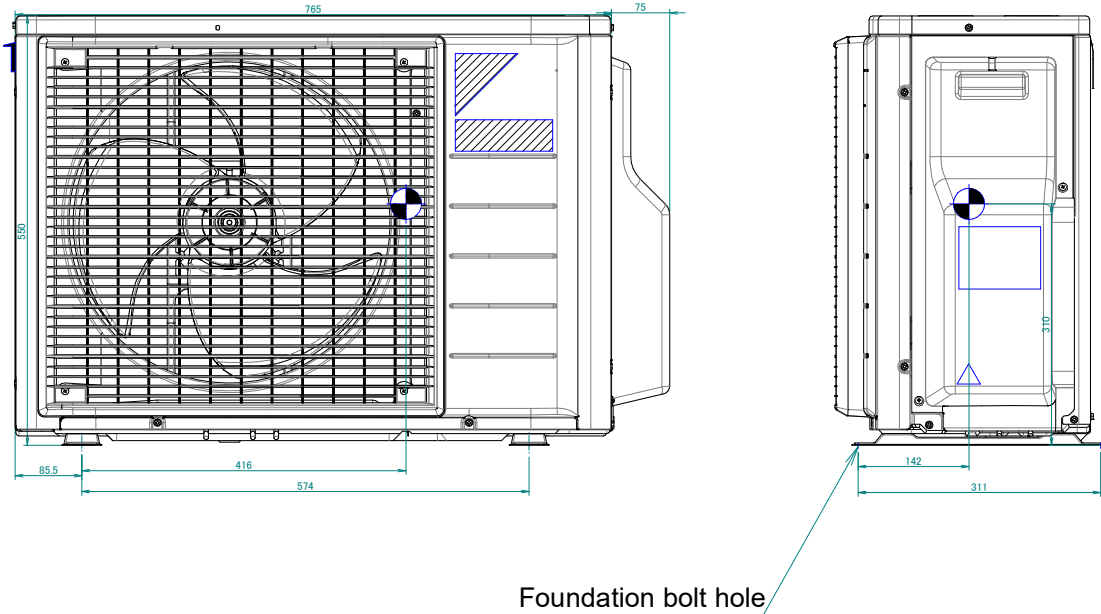


3D131310A

7 Centre of gravity

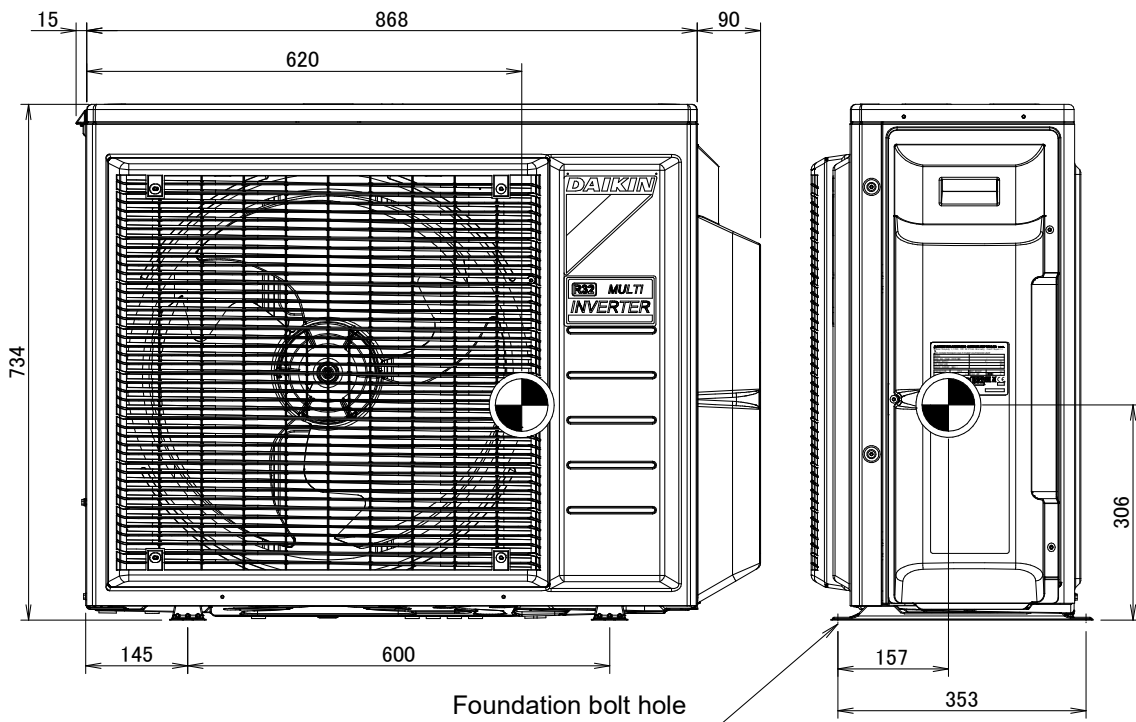
7 - 1 Centre of Gravity

2MXM40-50N



4D101315A

2MXM68N



4D102822B

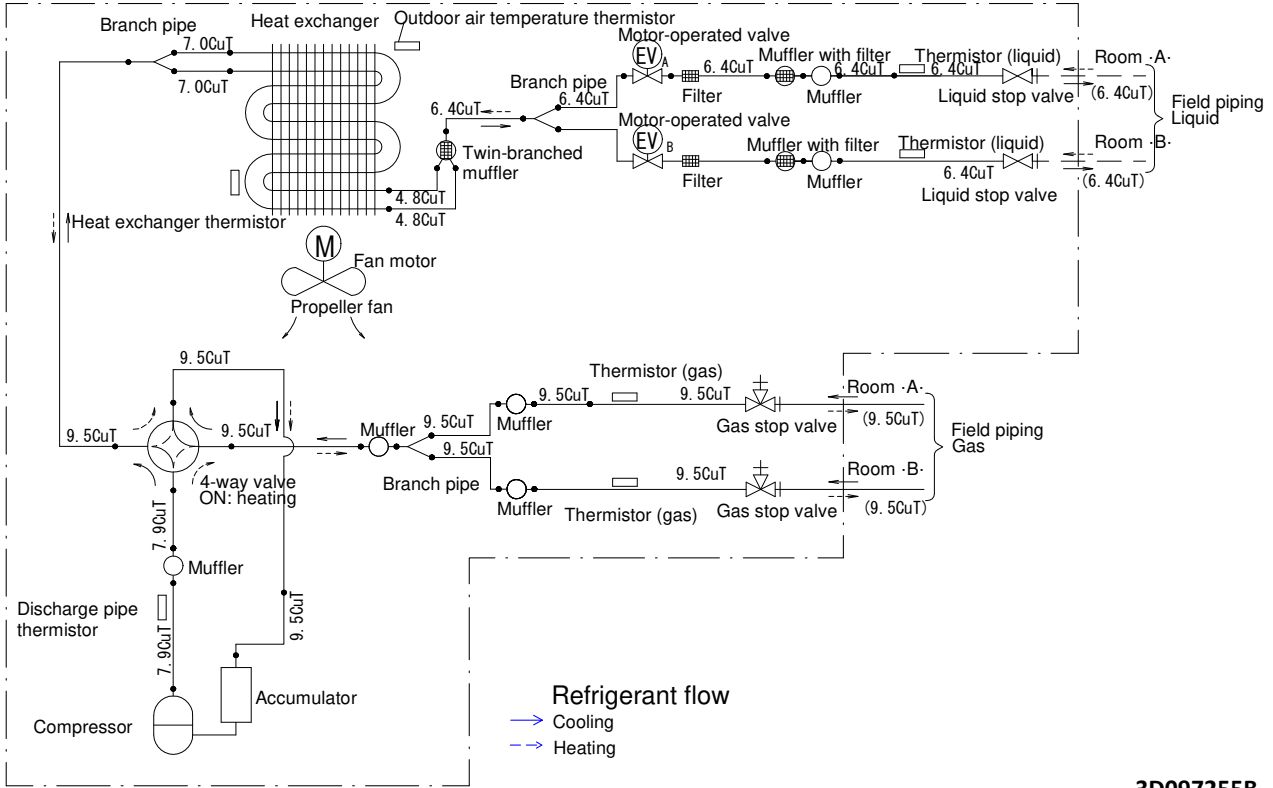
8 Piping diagrams

8 - 1 Piping Diagrams

8

2MXM40N

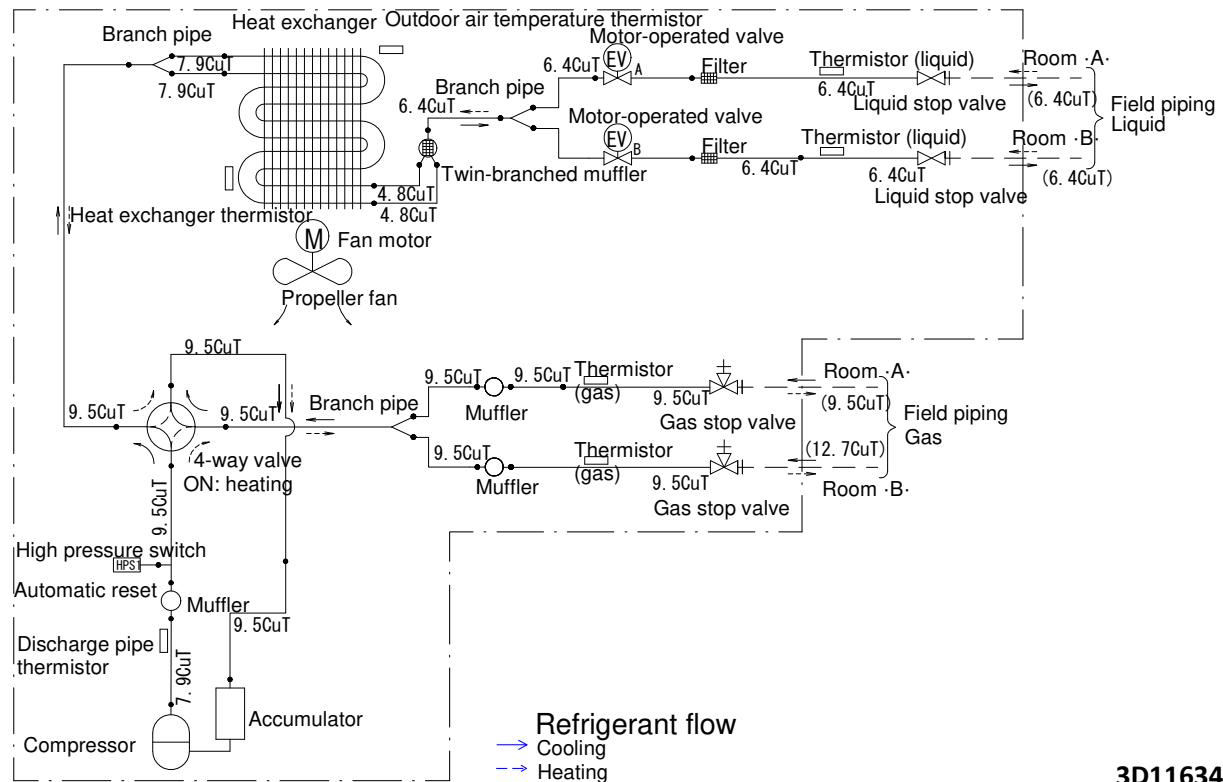
Outdoor unit



3D097255B

2MXM50N

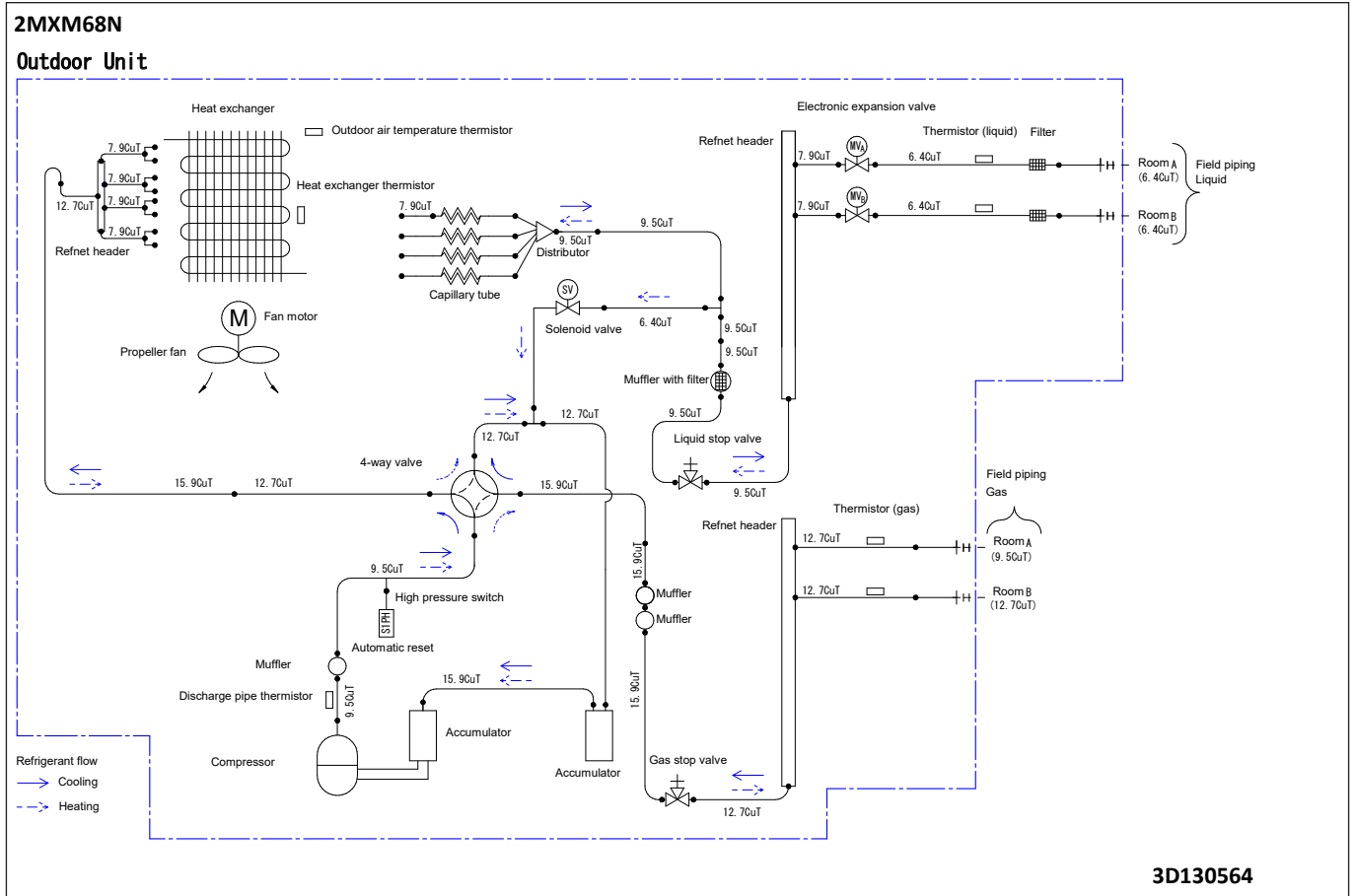
Outdoor unit



3D116345

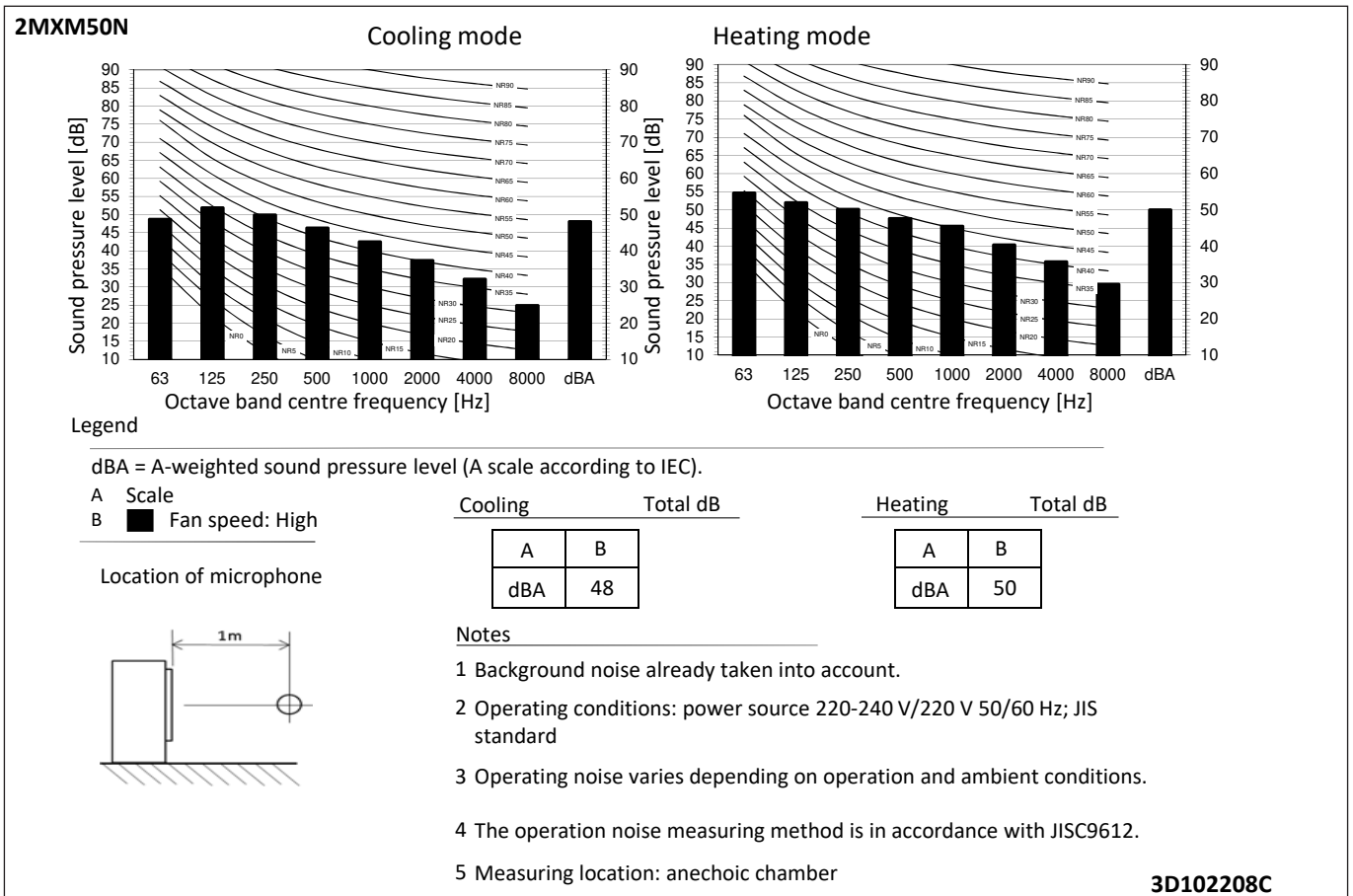
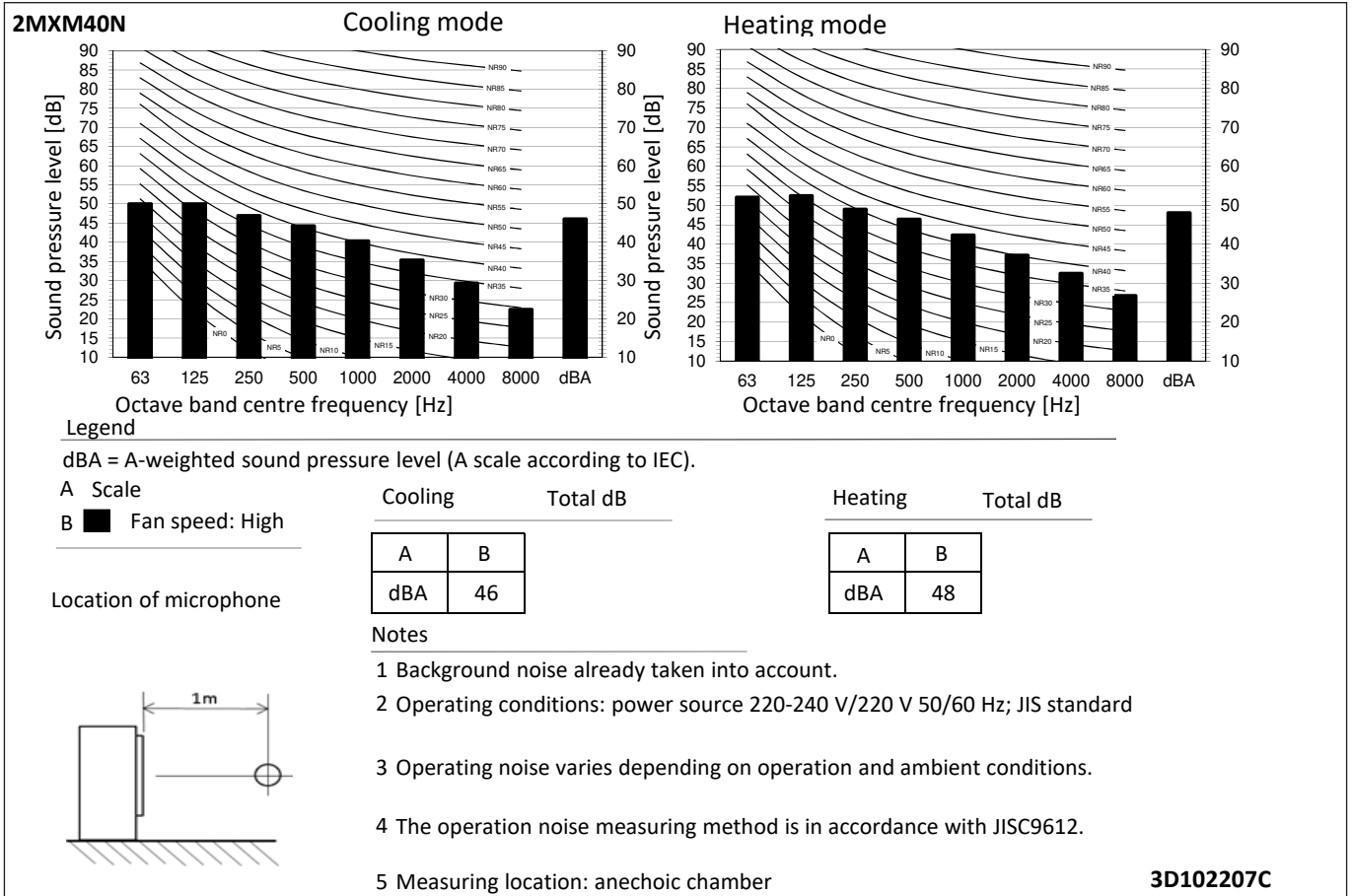
8 Piping diagrams

8 - 1 Piping Diagrams



10 Sound data

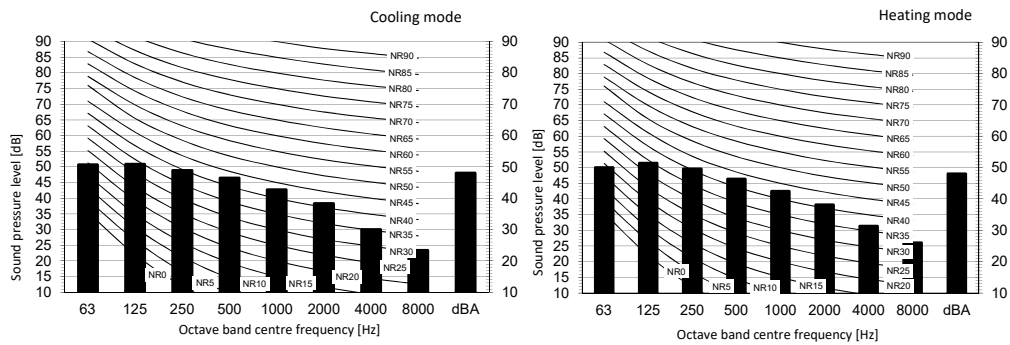
10 - 1 Sound Pressure Spectrum



10 Sound data

10 - 1 Sound Pressure Spectrum

2MXM68N

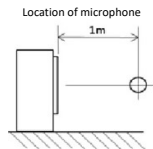


Legend

dBA = A-weighted sound pressure level (A scale according to IEC).

A Scale

B Fan speed: High



Cooling Total dBA

A	B
dBA	48

Heating Total dB

A	B
dBA	49

Notes

1. Operating conditions: power source 220-240 V/220 V 50/60 Hz; JIS standard
2. Background noise already taken into account.
3. Operating noise varies depending on operation and ambient conditions.
4. The operation noise measuring method is in accordance with JISC9612.
5. Measuring location: anechoic chamber

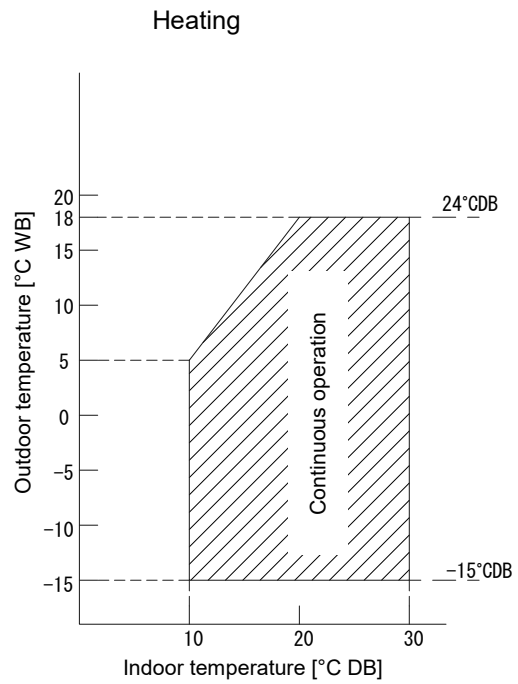
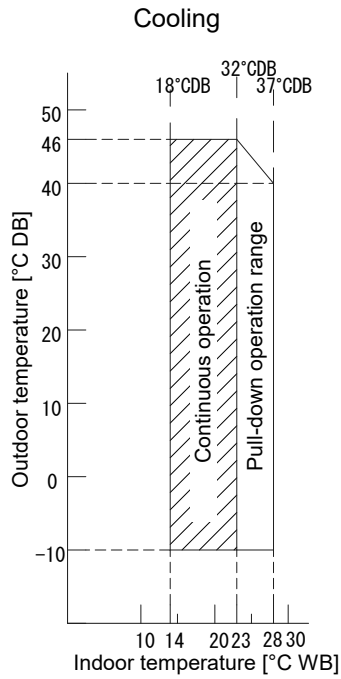
3D106223B

11 Operation range

11 - 1 Operation Range

11

2MXM-N

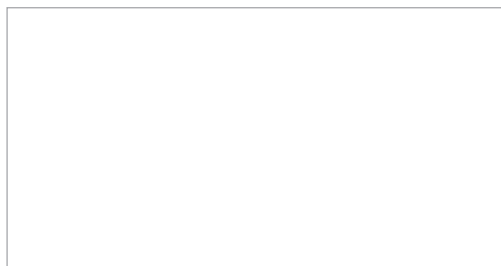


Notes

- 1. The graph is based on the following conditions.
 Corresponding refrigerant piping length: 5 m
 Level difference: 0 m
 Air flow rate High

3D101376D

Daikin Europe N.V. Naamloze Vennootschap · Zandvoordestraat 300 · 8400 Oostende · Belgium · www.daikin.eu · BE 0412 120 336 · RPR Oostende (Responsible Editor)



EEEN20

12/2020



Daikin Europe N.V. participates in the Eurovent Certified Performance programme for Fan Coil Units and Variable Refrigerant Flow systems. Check ongoing validity of certificate: www.eurovent-certification.com

The present publication is drawn up by way of information only and does not constitute an offer binding upon Daikin Europe N.V. / Daikin Central Europe HandelsGmbH. Daikin Europe N.V. / Daikin Central Europe HandelsGmbH have compiled the content of this publication to the best of their knowledge. No express or implied warranty is given for the completeness, accuracy, reliability or fitness for particular purpose of its content and the products and services presented therein. Specifications are subject to change without prior notice. Daikin Europe N.V. / Daikin Central Europe HandelsGmbH explicitly rejects any liability for any direct or indirect damage, in the broadest sense, arising from or related to the use and/or interpretation of this publication. All content is copyrighted by Daikin Europe N.V.